

SPECIAL CAPACITOR MKT STOR

MKT METALLIZED POLYESTER CAPACITORS

General data :

- Applications:

Discharge circuits

- Dielectric:

Polyester film (Polyethylene Terephthalate), self-regenerating.

- Plates:

Aluminium layer deposited by e under vacuum.

- Winding :

Non-inductive type.

- Leads:

Tinned wire. $\phi=0,8$

- Protection:

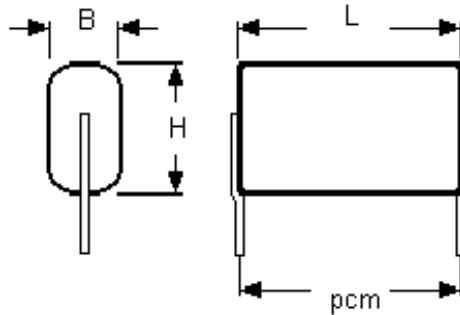
None

- Technical terms and test:

IEC 384-1/2 IEC68

- Climatic category:

(IEC 68-1) 55/100/56



Electrical characteristics:

- Nominal voltage (Vn dc):

250-400

- Dissipation Factor (Df at 25°C):

1 KHz = $<100 \times 10^{-4}$

10 KHz = $<150 \times 10^{-4}$

- Insulation Resistance (Ri):

Temperature: 25°C

Voltage charge:

Charge time: 1 minute

100 Vdc for $V_n \geq 100$ Vdc

500 Vdc for $V_n \geq 500$ Vdc

$C \leq 0,33 \mu F = 30.000$ Mohm

$C > 0,33 \mu F = 10.000$ sec.

- Test Voltage:

(2 seg. at 25°C) $1,6 \times V_n$

- Life test:

Temperature: 85°C

Voltage: $1,25 \times V_n$

Duration: 1.000 hours

Variations:

Capacitance: $< 2\%$

Df change: $< 30 \times 10^{-4}$

Insulation: $>$ limit value

-Notes: -All dimensions are in mm.

- Other versions available upon request.

STOR 250

Voltage Voltaje	Capacitance Capacidad	Dimensions max. mm Dimesion máx. mm.				pcm	V/ μ s	Code Codigo
		B	H	L				
250Vdc 200Vac	0,47	6,0	10,0	16,0	15,0	20,0	aSTOS0SC*E6/47	
	0,68	6,5	12,0	16,0	15,0	20,0	aSTOS0SC*E6/68	
	0,68	5,5	10,0	16,0	15,0	20,0	aSTOSASC*E6/68	
	1	8,0	15,5	16,0	15,0	20,0	aSTOS0SC*E7/1	
	1	6,5	12,0	16,0	15,0	20,0	aSTOSBSC*E7/1	
	1,5	10,0	18,0	16,0	15,0	20,0	aSTOS0SC*E7/15	
	1,5	8,5	14,0	16,0	15,0	20,0	aSTOSASC*E7/15	
	2,2	11,5	20,5	16,0	15,0	20,0	aSTOS0SC*E7/22	
	2,2	11,0	15,5	16,0	15,0	20,0	aSTOSASC*E7/22	
	3	12,5	19,5	16,0	15,0	20,0	aSTOSASC*E7/3	